

#72 Protection Saddle 2" Insulation

Finishes Bare Metal, Zinc Plated, Hot Dipped Galvanized

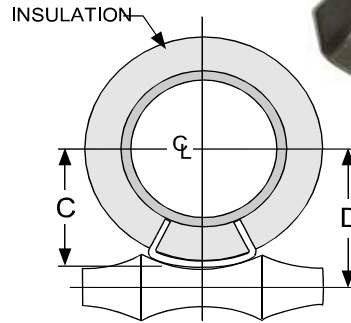
Materials Carbon Steel, Stainless Steel 304SS

Approvals Complies with MSS SP-58 and MSS SP-69 (Type 39)

Recommended Designed to protect pipe insulation from crushing, typically used on high temperature pipe lines.

Maximum temperatures: Carbon Steel 650°F, Alloy 950°F

Notes All saddles 12" in length.
Center rib starts at 12" IP



IRON PIPE SIZE	SPECIFICATION DATA				ACTUAL THICKNESS OF COVERING	RECOM. MAX. LOAD (LBS.)	APP'X WT. PER 100 (LBS.)
	C	D	HANGER ROLLER SIZE				
			# 94/95	# 93			
3/4	2 3/4	3 3/8	4	5	2 1/16	1200	263
1	2 7/8	3 1/2	4	5	2 1/8	1200	263
1 1/4	3 1/16	3 11/16	5	5	2 1/16	1200	263
1 1/2	3 7/16	4 1/8	5	6	2 5/16	1800	284
2	3 11/16	4 3/8	5	6	2 1/8	1800	284
2 1/2	3 15/16	4 5/8	6	8	2 5/16	1800	284
3	4 1/8	4 7/8	8	8	2 1/16	1800	328
3 1/2	4	5 3/16	8	8	2 1/4	1800	328
4	4 11/16	5 1/2	8	8	2 1/16	1800	328
5	4 15/16	5 7/8	8	10	2	1800	328
6	5 1/2	6 1/2	10	10	2	1800	586
8	6 1/2	7 5/8	12	12	2	1800	618
10	7 5/8	9 1/16	14	16	2 1/16	1800	618
12	8 13/16	10 3/16	16	18	2 1/16	5000	990
14	9 1/4	10 3/4	18	18	2	5000	990
16	10 1/4	11 7/8	20	20	2	5000	1054
18	11 1/2	13 1/16	24	24	2	7200	1118
20	12 5/16	14 1/4	24	24	2	7200	1181

QWI 4.3.1 Issue Date Mar/24 Rev.11

Note: when referencing a printed copy of this specification page, please insure it is the latest version as found on our website at www.taylorwalraven.ca

For more information, please contact Customer Service at 1-800-263-8652